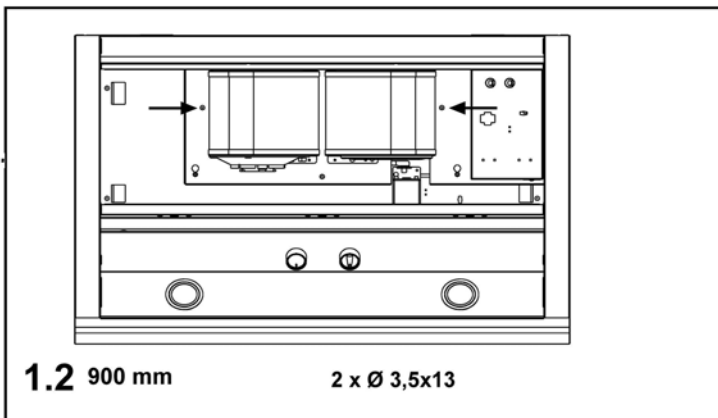
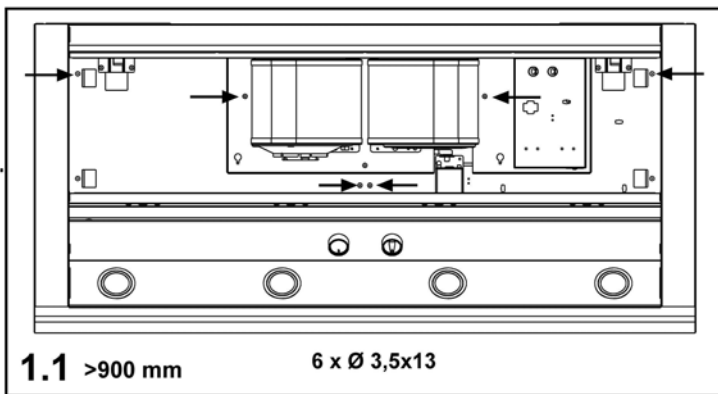
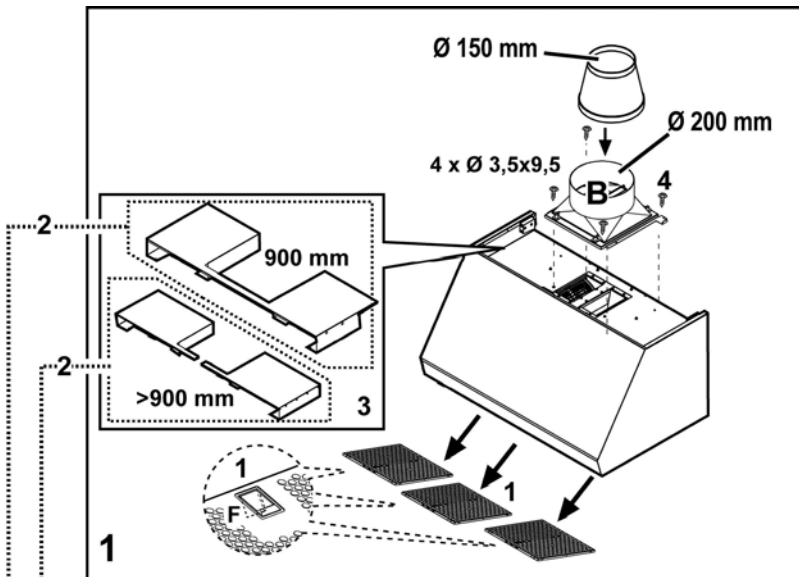
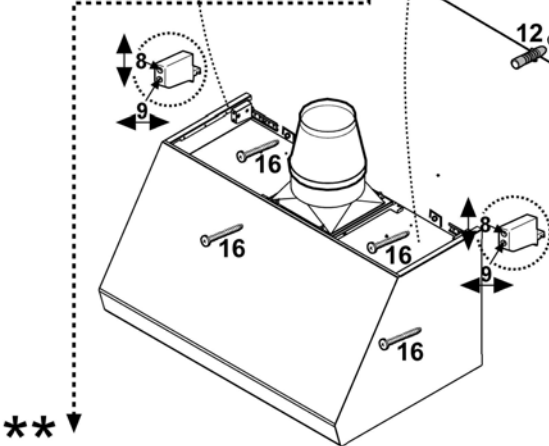
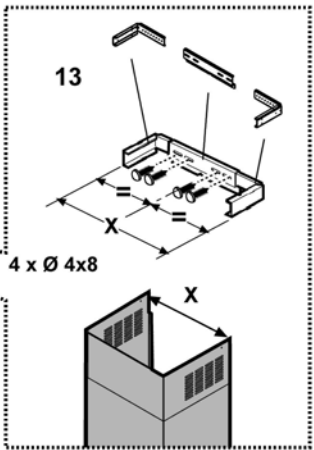
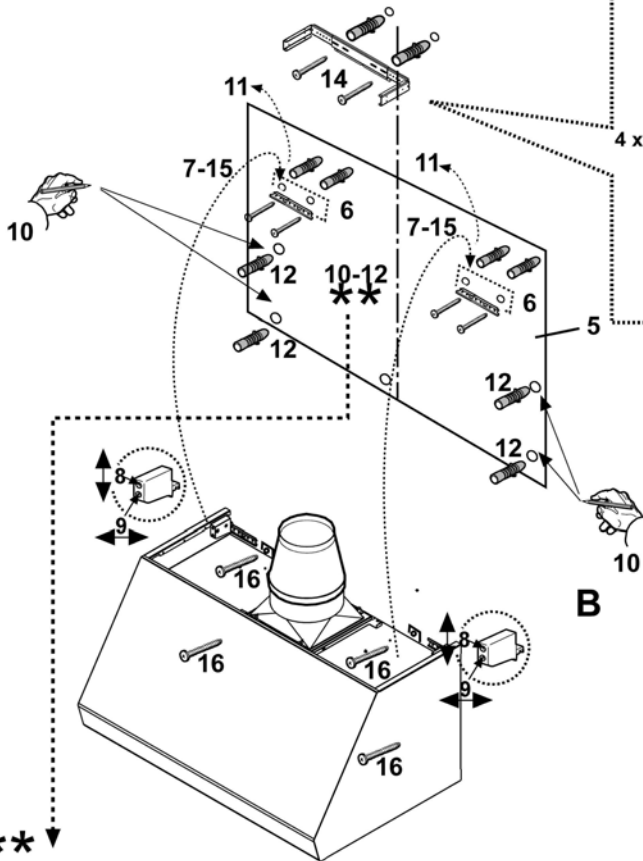
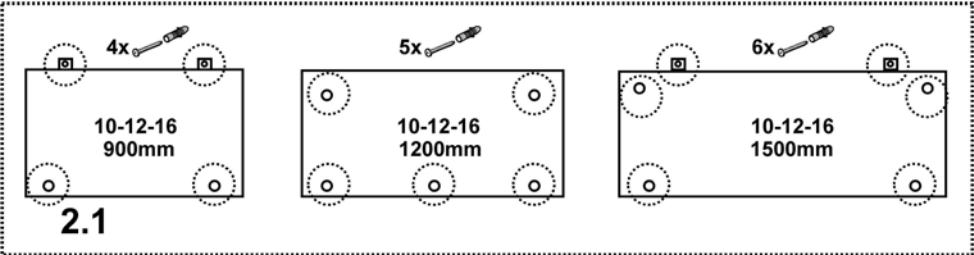


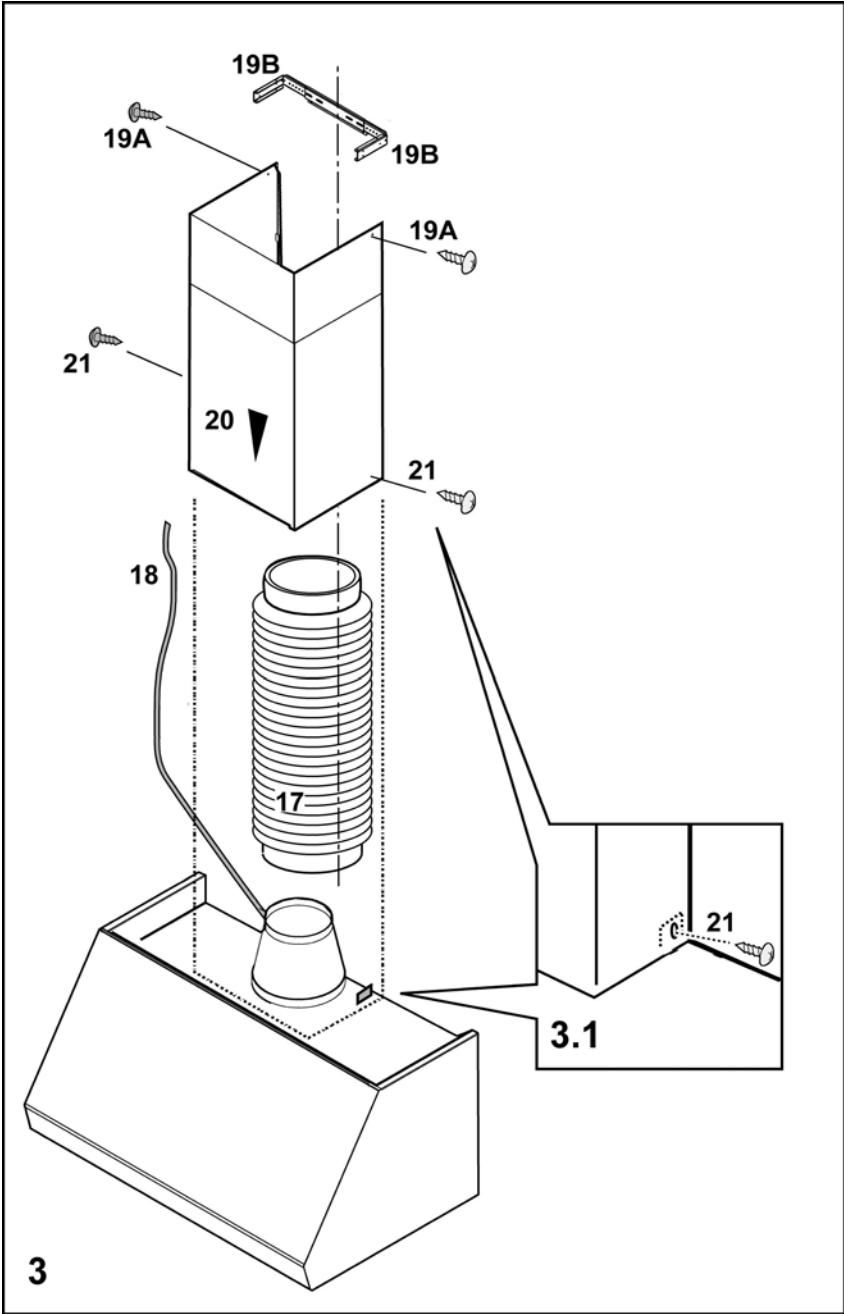
Istruzioni di montaggio e d'uso
Instruction on mounting and use
Prescriptions de montage et mode d'emploi
Montage- und Gebrauchsanweisung
Montagevoorschriften en gebruiksaanwijzingen
Montaje y modo de empleo

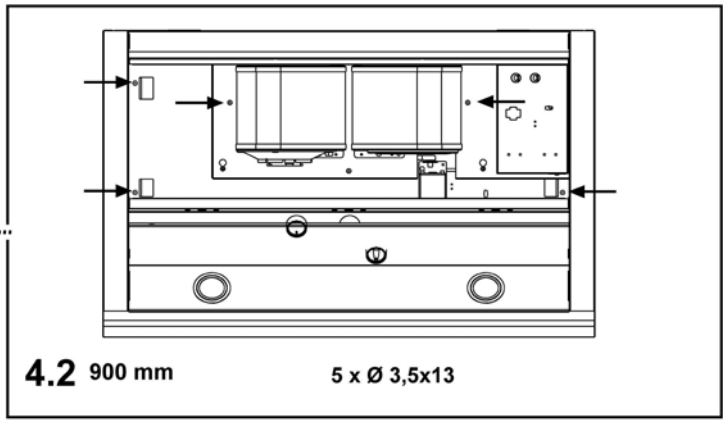
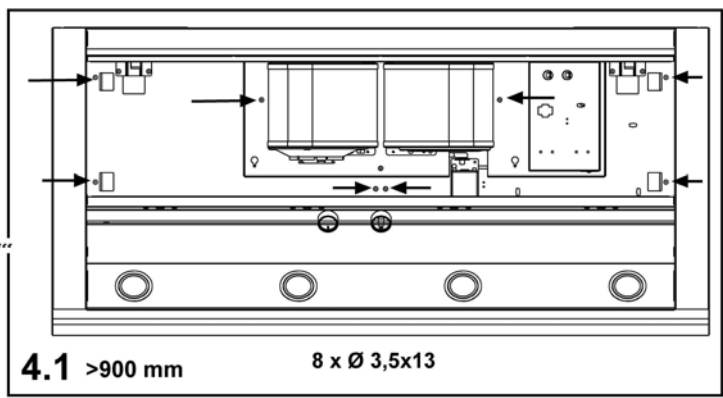
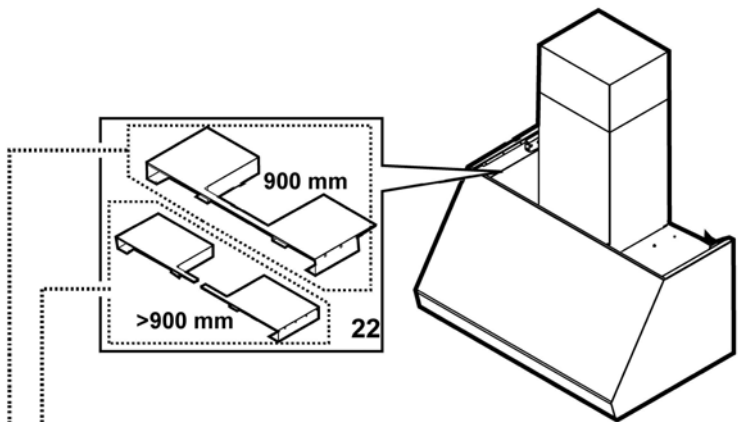




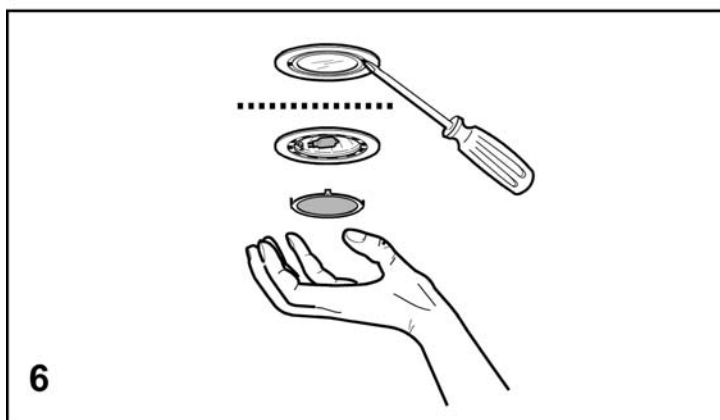
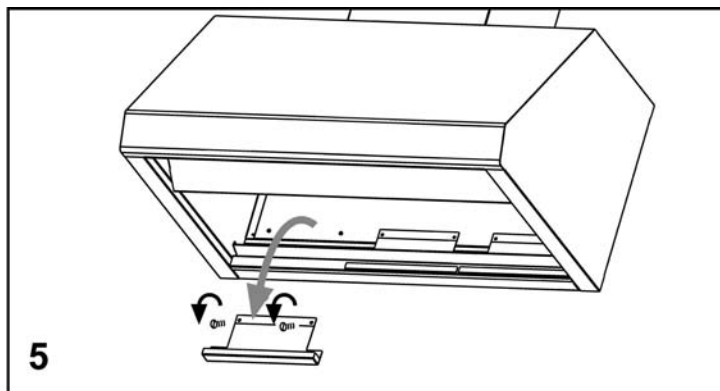
** ↓







4



Instruction on mounting and use

Consult the designs in the front pages referenced in the text by alphabet letters.

Closely follow the instructions set out in this manual. All responsibility, for any eventual inconveniences, damages or fires caused by not complying with the instructions in this manual, is declined.

Use

Ducting version

The hood is equipped with a top air outlet **B** for discharge of fumes to the outside (exhaust pipe and pipe fixing clamps not provided).

Installation

The minimum distance between the supporting surface for the cooking vessels on the hob and the lowest part of the range hood must be not less than 50cm from electric cookers and 65cm from gas or mixed cookers. If the instructions for installation for the gas hob specify a greater distance, this must be adhered to.

Electrical connection

The electrical tension must correspond to the tension noted on the label placed inside the cooker hood. Connect the electrical plug, where provided, to the an easily accessible outlet in conformity with local standards in force. Where an electrical plug is not provided (*for direct connection to electrical network*) or is not easily accessible, place a standards approved bipolar switch that provide full disconnection under overvoltage category III conditions, in accordance with the wiring rules.

Attention: substituting the supply cable must be carried out by the authorised technical assistance service.

Mounting

Fig.1

- Pull handle **F** and remove the fat filters (1)
Note: the number of fat filters can vary on the basis of the dimensions of the hood.
- Remove the screws that fix the upper covers (the 900mm model has 1 cover, models with larger widths are supplied with 2 covers, right and left) (2).
Note: the screws to remove are in the positions indicated by the arrow in 1.1 and 1.2 (only 900mm width model).
- Remove the mantle(s) (3)
- Fix connection ring **B** with 4 screws (4).
Note: Apply, if envisaged and/or necessary for your installation, the reduction to the **B** connection ring. Without the reduction, Ø 200mm tubes are to be used; with the reduction Ø 150mm tubes can be used.

Fig. 2

- Place the hole diagram on the wall (5)

- Fix the 2 brackets to the wall using 2 screws and 2 dowels (6)
- Hang the hood on the brackets (7)
- Adjust the distance (8) and horizontal setup (9) of the hood, acting on the opposite screws.
- Mark the holes for the definitive fixing (10) from inside and, where envisaged, from outside the hood.
Note: See the diagram of the back of the hood with the position of the definite fixing holes/dowels/screws. (Fig. 2,1)
- Remove the hood. (11)
- Make the holes and insert the dowels at the points previously marked. (12)
- Assemble the bracket for the flue and fix it with the 4 screws supplied. (13)
Note: The extension of the bracket must be identical to the internal width of the flue.
Fix the bracket to the wall with 2 dowels and 2 screws (14)
- Hang the hood on the brackets again. (15)
- Fix the hood definitively. (16)
Note: consult montage operations 10-12 for the number and position of the definitive fixing screws.

Fig. 3

- Apply a discharge tube (to purchase) to the connection ring. (17)
- Connect the electricity. (18)
- Fix the upper flue with 2 screws (19A) to the bracket (19B)
- Lower the lower section of the flue (20) and fix it onto the upper side of the hood with 2 screws (21 - Fig. 3.1).

Fig. 4

- Reposition the cover/s over the hood and fix it/them from inside the hood (22).
Note: the screws must be inserted into the positions indicated by the arrow in figure 4.1 and (4.2 - only 900mm width model).
- Mount the fat filters again.

Operation

Use the high suction speed in cases of concentrated kitchen vapours. It is recommended that the cooker hood suction is switched on for 5 minutes prior to cooking and to leave in operation during cooking and for another 15 minutes approximately after terminating cooking.

The hood is fitted with a control panel with aspiration speed selection control and a light switch to control cooking area lights.

Maintenance

Before performing any maintenance operation, isolate the hood from the electrical supply by switching off at the connector and removing the connector fuse.

Or if the appliance has been connected through a plug and socket, then the plug must be removed from the socket.

Cleaning

The cooker hood should be cleaned regularly (at least with the same frequency with which you carry out maintenance of the fat filters) internally and externally. Clean using the cloth dampened with neutral liquid detergent. Do not use abrasive products.

DO NOT USE ALCOHOL!

Clean the small fat-collecting tanks regularly (one for every filter).

To remove them proceed as follows:

Fig. 5

- remove the fat filters ;
- remove the tanks unscrewing the latches (2 for every tank).
- Mount the small tanks again after having cleaned them, proceeding in the reverse order.

Grease filter

This must be cleaned once a month (or when the filter saturation indication system – if envisaged on the model in possession – indicates this necessity) using non aggressive detergents, either by hand or in the dishwasher, which must be set to a low temperature and a short cycle.

When washed in a dishwasher, the grease filter may discolour slightly, but this does not affect its filtering capacity.

To remove the grease filter F, pull the spring release handle.

Fig. 1

Replacing lamps

Fig. 6

1. Extract the guard by levering it off with a small screwdriver or similar tool.
2. Replace the damaged light bulb.
Only use halogen bulbs of 20W max (G4), making sure you do not touch them with your hands.
3. Close the lamp cover (it will snap shut).

If the lights do not work, make sure that the lamps are fitted properly into their housings before you call for technical assistance.

Caution

Never use the hood without the grill mounted!

The hood must NEVER be used as a support unless expressly indicated.

The appliance is not intended for use by young children or infirm persons without supervision.

Young children should be supervised to ensure that they do not play with the appliance.

The premises must have sufficient ventilation when the kitchen hood is used at the same time as other apparatuses fuelled by gas or other fuels.

The sucked air must not be conveyed in a conduit used for discharging fumes produced by apparatuses fuelled by gas or other fuels.

Cooking food on the flame under the hood is severely prohibited.

The use of open flame damages the filters and can cause a fire; it must therefore be avoided in any case.

Frying must be carried out under control in order to prevent overheated oil catching fire.

Keep strictly to the regulations envisaged by the competent local authority as far as the technical and safety measures to adopt for discharging fumes are concerned.


The hood is to be cleaned frequently both internally and externally.

Failure to observe the regulations about cleaning the hood and substituting and cleaning the filters can lead to the risk of fire.

Any responsibility is declined for possible inconveniences, damage or fire caused to the apparatus deriving from failure to observe the instructions shown in this manual.

This appliance is marked according to the European directive 2002/96/EC on Waste Electrical and Electronic Equipment (WEEE). By ensuring this product is disposed of correctly, you will help prevent potential negative consequences for the environment and human health, which could otherwise be caused by inappropriate waste handling of this product.



The symbol  on the product, or on the documents accompanying the product, indicates that this appliance may not be treated as household waste. Instead it shall be handed over to the applicable collection point for the recycling of electrical and electronic equipment. Disposal must be carried out in accordance with local environmental regulations for waste disposal.

For more detailed information about treatment, recovery and recycling of this product, please contact your local city office, your household waste disposal service or the shop where you purchased the product.

